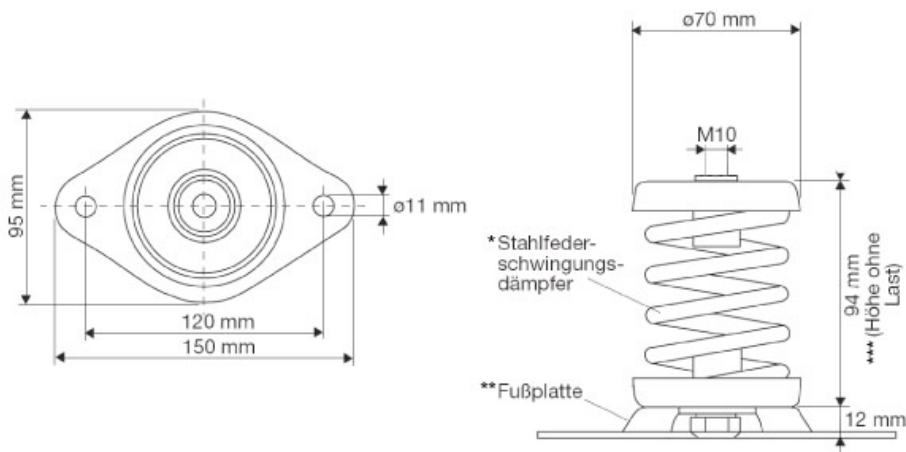


FSD90 AXC spring damper set

Spring damper

Spring damper for active and passive vibration- and impact sound isolation. Steel spring vibration isolators consist of a cylindrical screw spring designed according to DIN EN10270-1:2001 with two end plates with M10 internal thread.

Spring damper set consists of 4 pcs spring dampers including base plate.



- * Stahlfederschwingungsdämpfer = Spring damper
- ** Fußplatte = Base plate
- *** Höhe ohne Last = Height without load

Spring damper for active and passive vibration- and impact sound isolation. Steel spring vibration isolators consist of two spring elements with M10 internal thread and a cylindrical screw spring designed according to DIN EN10270-1:2001. Construction height, diameter and mounting threads are common to all types, thus guaranteeing exchangeability. The open

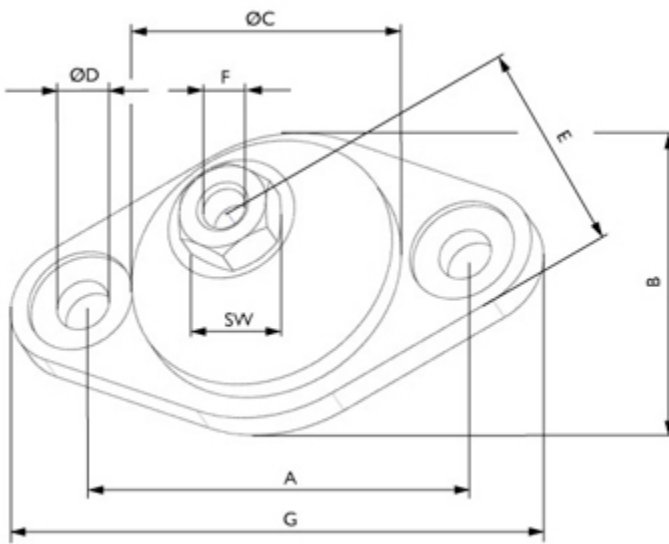
construction ensures that the vibration source is only connected to the foundation by the spring. The spring element can freely oscillate in the horizontal plane. The spring is clearly visible, so its condition can be inspected without dismantling it. The distance between the spring coils is visible under load. For the selection of the spring damper (FSD) the weight-force (in N) at the point of support and the excitation frequency (1/min.) is needed.

SD 315-450 rubber mounts AXC

Vibration damper MP

Rubber-metal-bearing for active and passive vibration- and impact sound isolation.

Suitable for temperatures from -40°C up to 70°C.



	A	B	øC	øD	E	F	G	SW
SD 315-450	45	35	30	6	15	M6	60	11
SD 500-630	70	50	45	9	27	M10	90	17
SD 710-1000	105	80	70	13	45	M16	140	24